



Datenblatt - Fiche technique - Data sheet

11.04.5693



ROLINE GOLD HDMI Ultra HD Kabel mit Ethernet, ST/ST, 5,0m

ROLINE GOLD Câble HDMI Ultra HD avec Ethernet, M/M, 5,0m

ROLINE GOLD HDMI Ultra HD Cable + Ethernet, M/M, 5 m

Customer P/N: xxxxxxxx RXX

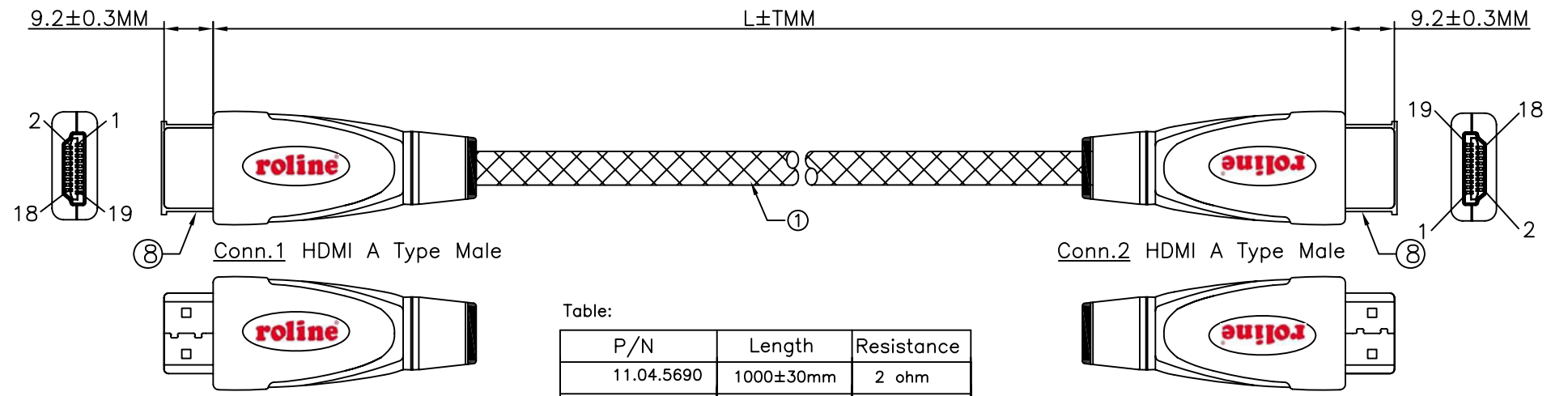
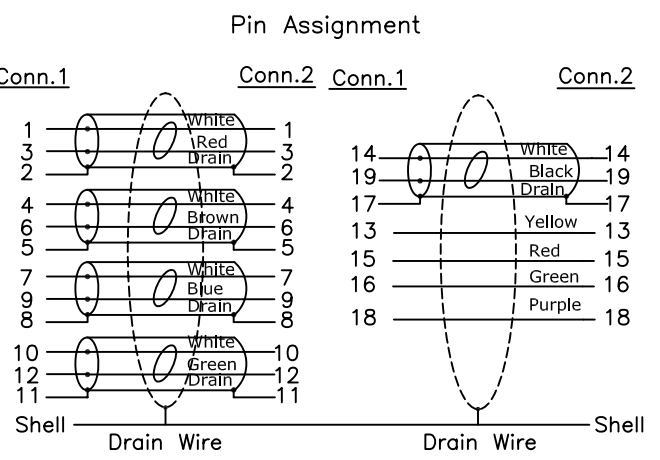


Table:

P/N	Length	Resistance
11.04.5690	1000±30mm	2 ohm
11.04.5691	2000±50mm	2 ohm
11.04.5692	3000±50mm	2 ohm
11.04.5693	5000±50mm	2 ohm

- Electrical Test:
- 100%Test(Open, short ,miss wire)
 - Contact Resistance: 2 ohm max.
 - Insulation Resistance: 5M ohm min.
 - Hi-pot:300V DC/10ms

- NOTE:
- CABLE:High Speed HDMI Cable With Ethernet: UL20276 [26AWG(7/0.16TC)*1PR+AL+D+Mylar]*5C +28AWG(7/0.127TC)*4C+AL/MY+Braid OD=8.5mm Jacket Color: Black Black+ Gold nylon mesh OD:9.5mm
 - CONNECTOR:HDMI 19P Male, Shell Gold Plated 1U', Insulation: Black
 - INSIDE MOLDING:PE
 - Transparent Logo Sticker
 - Zinc Alloy Shell Color: Gold



REV.	DATE	CONTENTS OF CHANGE	DESIGNER	TOL ±								APPROVAL	CHECK	DRAWING	DESIGN	DRAWING NAME				
				RANGE	Pla	Met	Ins	Por	V Cab	Pac	Gas					DIS	DATE	HDMI M/M Gold Plated		
△				0~6	0.1	0.1	0.1	0.2	0.5	1	0.5	0.2	PHILIP	PHILIP	TREE	2015-08-28				
△				6~30	0.1	0.1	.15	.25	1	1	0.5	.25				PART NO.	MF	ROO		
△				30~80	0.1	.15	0.2	0.3	2	1.5	1	0.3								
△				80~180	.15	.15	.25	0.3	2	2	1	.45								
△				180~315	.15	0.2	0.3	0.4	2.5	2	1	0.6								
△				315~800	0.2	0.3	0.4	0.5	3	3	2	1.1	SCALE	1:1	UNIT	MM				

